

O Holy Night Tri-Fold card

Measurements

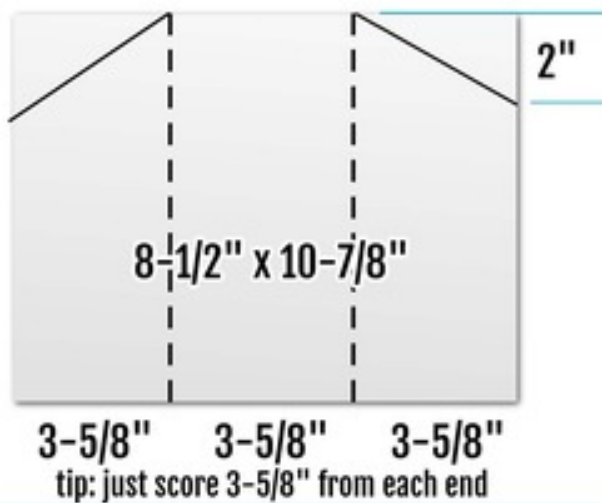
Patty Bennett
510-724-1693

pattystamps@comcast.net
www.PattyStamps.com

Tri-fold O Holy Night Card dimensions

BY PATTY BENNETT
WWW.PATTYSTAMPS.COM

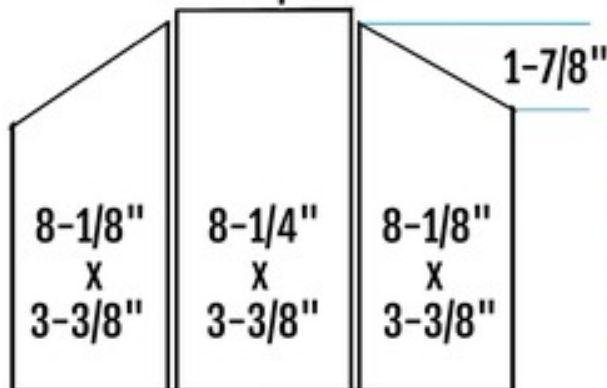
cardstock - base



Cardstock Base:

1. Cut Night of Navy to 8-1/2" x 10-7/8"
2. Score from each end at 3-5/8"
3. Measure down 2" from top left and right corner, cut as shown
4. Fold into Tri-fold card design

DSP - 3 pieces



3 DSP Pieces:

1. Cut O Holy Night DSP into 3 strips, 3-3/8" wide each
2. Cut center strip to 8-1/4" tall, adhere to center panel on the card base
3. Cut 2 side strips to 8-1/8" tall
4. Measure down 1-7/8" on L & R sides from the top corner as shown and cut on the diagonal.
5. Adhere the side panels to the card base.
6. Die cut images from Night Divine bundle and add to card.

O Holy Night Tri-Fold card

Measurements

Patty Bennett

510-724-1693

pattystamps@comcast.net

www.PattyStamps.com



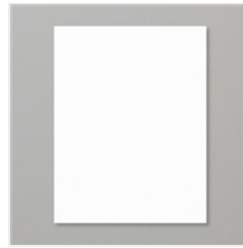
O Holy Night 12" X 12" (30.5 X 30.5 Cm) Designer Series Paper - 161986

Price: \$12.50



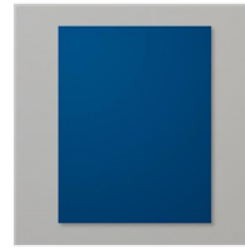
Night Divine Bundle (English) - 161997

Price: \$48.50



Basic White 8-1/2" X 11" Cardstock - 159276

Price: \$10.50



Night Of Navy 8-1/2" X 11" Cardstock - 100867

Price: \$10.00



Night Of Navy Classic Stampin' Pad - 147110

Price: \$9.00



Pecan Pie Classic Stampin' Pad - 161665

Price: \$9.00



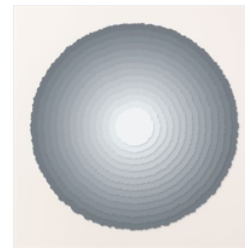
Pebbled Path Classic Stampin' Pad - 161648

Price: \$9.00



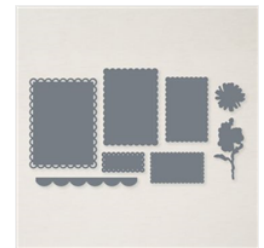
Small Blending Brushes - 160518

Price: \$12.00



Deckled Circles Dies - 162286

Price: \$37.00



Scalloped Contours Dies - 155560

Price: \$35.00



Multipurpose Liquid Glue - 110755

Price: \$5.50



Paper Trimmer - 152392

Price: \$26.00



Foam Adhesive Sheets - 152815

Price: \$8.00

Add All to Cart